

We build a better future



■ Photo may include optional equipment

HYUNDAI LPG FORKLIFT TRUCKS - Applied Tier 4 Engine

**25L/30L/33L-7A**

 **HYUNDAI**  
HEAVY INDUSTRIES EUROPE



# NEW criterion of Forklift Trucks

Hyundai introduces a new line of 7A-series LPG forklift trucks. Excellent power and performance make your business more profitable.



## OPSS (Operator Presence Sensing System)

Control of mast tilting, lifting and lowering is not possible when the operator is not in the normal position.



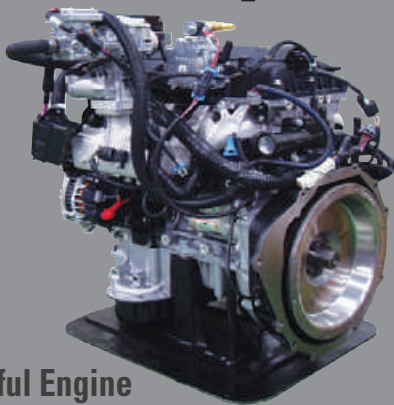


■ Photo may include optional equipment

# The new master on your job-site!

Smooth running, efficient and ergonomically designed, 25L/30L/33L-7A series are made to meet your needs.

## 44kW / 2,300 rpm



### Powerful Engine

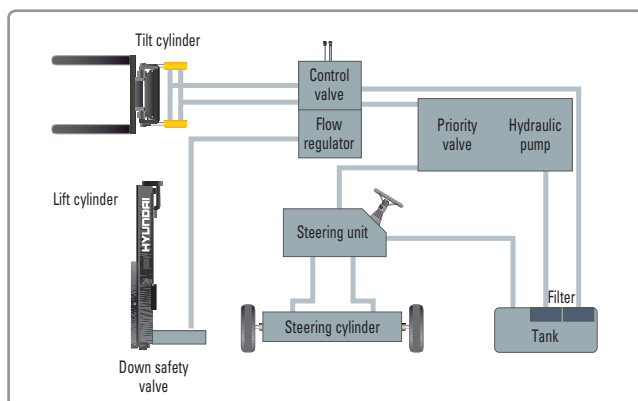
## HMC L4KB(2.4L) Engine

Powerful and efficient engine Hyundai engine provides excellent fuel consumption, excellent torque and improved operator's comfort. (EPA/CARB Tier-IV Certified)

### Fast and stable performance

Being able to quickly raise and lower the mast, as well as tilting forward and backward, the truck provides you the best operational conditions during loading/unloading operations.

With a loaded truck, mast lowering speed is carefully controlled by a control down valve to ensure full safety on the job.



### State-of-the-art hydraulic system

The latest designed, large-capacity hydraulic system including a low-noise control valve shortens reaction time during operation and improves both efficiency and durability.



### Fully hydrostatic power steering

A hydraulic steering system always guarantees smooth and flexible steering, preventing overrun and steering wheel kick-back.



# High Power Low Noise



■ Photo may include optional equipment



### Increased mast tilting angle

A mast tilting angle of 6 degrees forward and 10 degrees backward gives the operator a safe and rapid platform for loading and unloading jobs.

### Faster travel speed & better grade-ability

The powerful high-output engine provides greater acceleration, better grade-ability and faster travel speed on any tough terrain or slope.



### Grade-ability (Loaded)

25L-7A : 20.4°

30L-7A : 16.5°

33L-7A : 15.4°

### Travel speed (Unloaded)

25L-7A : 17.7 km/h

30L-7A : 18.6 km/h

30L-7A : 18.6 km/h

# Ergonomic operator friendly compartment design!

A design based on human engineering relieves fatigue and increases operator's efficiency.

## Operator friendly gauges and water-resistant monitor panel



- |   |                                    |                     |
|---|------------------------------------|---------------------|
| ① Parking brake lamp                        | ⑥ Battery charging warning lamp    | ⑫ Fuel gauge        |
| ② Directional indicators                    | ⑦ Air cleaner filter warning light | ⑬ Hour meter        |
| ③ Fuel warning lamp                         | ⑧ Working light indicator          | ⑭ Engine check lamp |
| ④ Engine oil warning lamp                   | ⑨ Water separator lamp             | ⑮ Seat belt warning |
| ⑤ Transmission oil temperature warning lamp | ⑩ Pre-heater indicator             | ⑯ DPSS warning      |
|   | ⑪ Water temperature gauge          |                     |



## Easily adjustable suspension seat

An attractive and adjustable seat with armrests, based on a human engineering design, provides great comfort, safety and durability.



## High visibility for safe operation

The operator is able to work with increased safety and accuracy due to a wider view mast.



## Ergonomic positioned pedals

Based on human engineering, the accelerator, brake and inching pedals are optimally positioned for operator's convenience. Easy to remove cleanable rubber floor mat.



## Cup holder & console box

Additional storage spaces are located inside the operating space.



## Quick Response of Operating Control Levers

Only minimal operator's effort is required for precise, safe and productive control.





**Travel Speed Control System (Option)**



← In-Door : Max. Travel Speed 8 ~ 13 km/h

← Out Door : Max Travel Speed 15 ~ 19 km/h

■ Photo may include optional equipment



**Adjustable steering wheel**

The steering wheel with horn button can be adjusted by a lever on the left-hand side to improve operators comfortability.



**Easy and safe shift lever**

A single lever on the left side of the steering column gives the operator fast and easy control of travel direction. The engine can only be started in case of neutral position of this lever.



**Multi-function switch lever**

A multi-functional switch lever gives easy access to lights and horn.

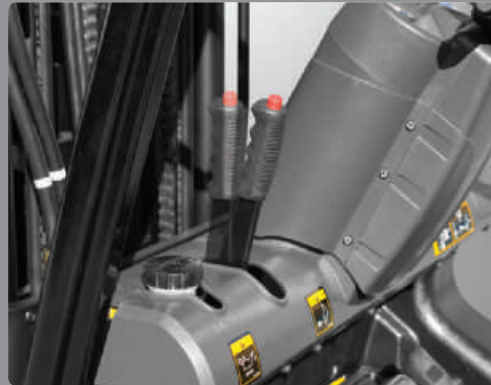
# Enhanced safety through high durability!

Safety and durability are priorities in the design of the equipment.



## Strong overhead guard

The safety overhead guard meets ISO 6055 regulations and protects the operator during hazardous jobs.

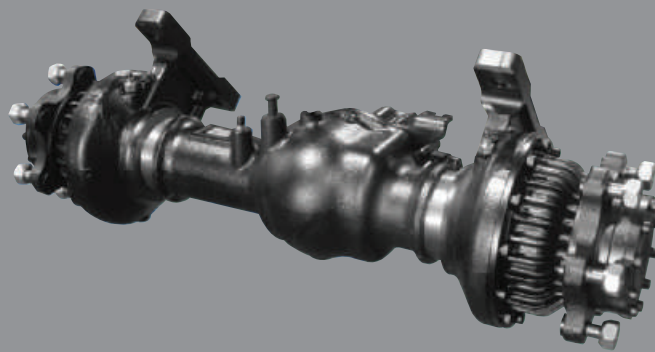


## Parking Brake

Toggle type parking brake requires less efforts from the operator to set.

## Highly durable split type drive axle

The advanced drive axle always delivers the desired torque to the drive wheels



## Large footstep & Handle

Wide "open" step ensures easy and safe access to the operator's seat



## Expansion bellows

The expansion bellows absorbs vibration and reduces noise generated from the exhaust gas system and extends the life cycle.



## Electrically Monitored Air Filter

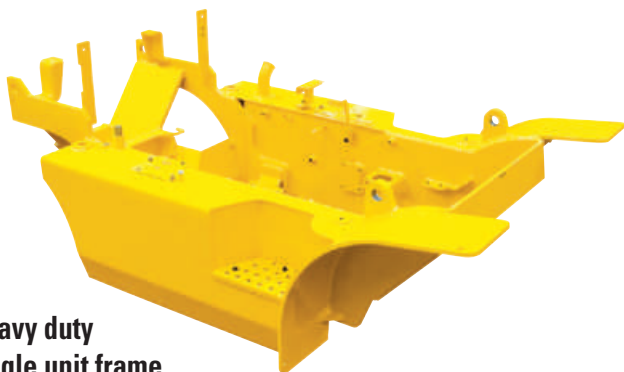
An air cleaner sensor alerts the operator of a restricted air filter so allowing replacement before a potential engine damage occurs.







■ Photo may include optional equipment



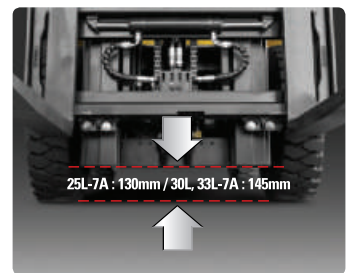
### Heavy duty single unit frame

Heavy duty single unit type frame, designed on the basis of accurate structural analysis, guarantees durability and safety.



### Bright, protected headlights

Bright, protected headlights are positioned for increased visibility in dark environments.



### Ground clearance

The engine and transmission are assembled horizontally and positioned high in the frame to protect valuable components during operations on rugged surface.



# Centralized design for easy service!

An ideal arrangement of components ensures easy access and convenience during maintenance.



## Easy change air cleaner

The air filter is readily accessible for cleaning or replacement.



## Fast Service Access for Daily Fluids Check



## Rotational Battery Installation



## One Touch, No Tool Floor Plate



## Removable Side Panels for Ease of Service



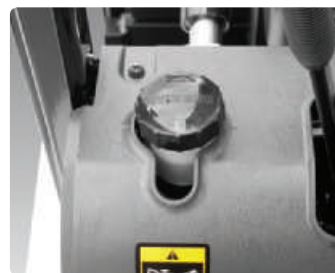
## Improvement in Maintenance of Electric Parts

Various electric parts are centralized in dash board resulting in effortless troubleshooting.



## Easy Maintenance oil check

The T/M oil level can be checked easily without any disassembly.



## Brake fluid reservoir

Highly visible and accessible reservoir makes daily inspections a quick and easy job.

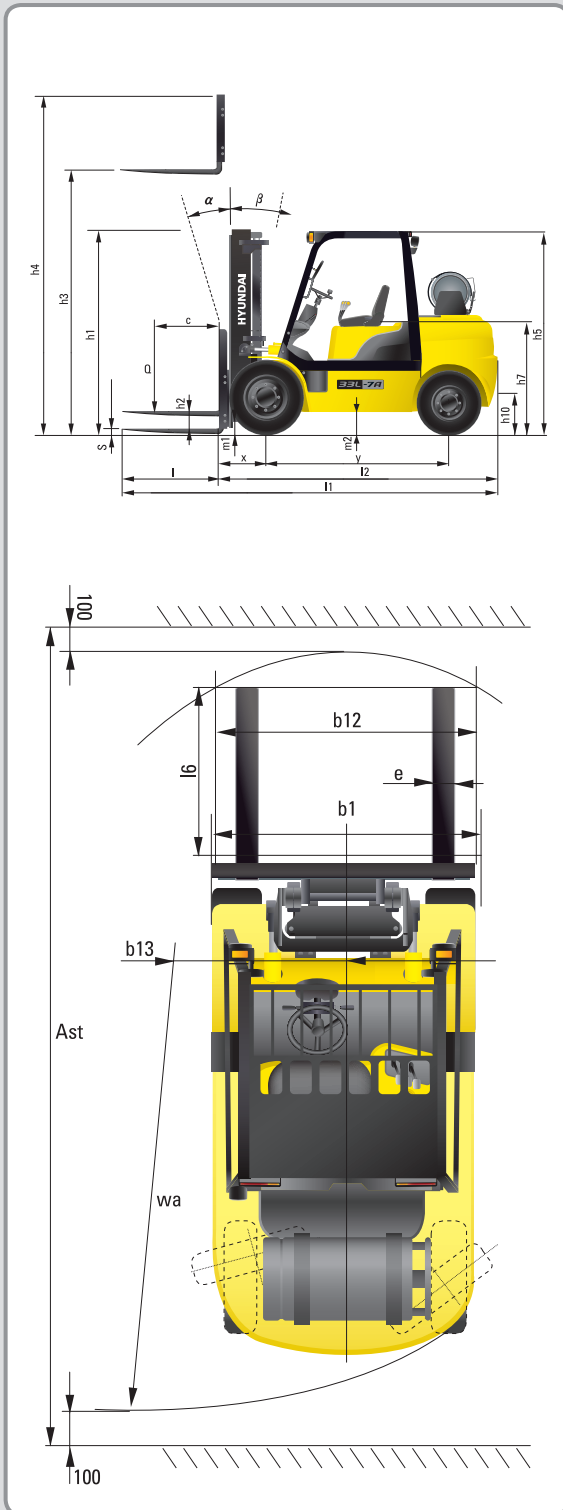


## An accessible, compact fuse box for easy inspection





## Dimensions



## Specifications

Identification					
1.1	Manufacturer	Hyundai	Hyundai	Hyundai	
1.2	Type	25L-7A	30L-7A	33L-7A	
1.3	Drive: electric (battery or mains), diesel, petrol, fuel gas, manual	LPG	LPG	LPG ara	
1.4	Type of operation: hand, pedestrian, standing, seated, order-picker	seated	seated	seated	
1.5	Load capacity (standard)	Q (t)	2.5	3	3.3
1.6	Load center distance	c (mm)	500	500	500
1.8	Load distance, center of drive axle to forks	x (mm)	468	468	468
1.9	Wheelbase	y (mm)	1650	1700	1700
Weights					
2.1	Service weight	kg	3706	4196	4439
2.2	Axle loading, loaded front/rear	kg	5452 / 753	6287 / 910	6745 / 994
2.3	Axle loading, unloaded front/rear	kg	1486 / 2220	1578 / 2618	1566 / 2873
Wheels, chassis					
3.1	Tires: solid rubber, superelastic, pneumatic, polyurethane		Pneumatic	Pneumatic	Pneumatic
3.2	Tires size, front		7.00 - 12 - 12PR	8.15 x 15 - 14PR	8.15 x 15 - 14PR
3.3	Tires size, rear		6.50 - 10 - 12PR	6.50 - 10 - 12PR	6.50 - 10 - 12PR
3.5	Wheels, number front / rear (X= driven wheels)		2 x / 2	2 x / 2	2 x / 2
3.6	Track width, front	b10 (mm)	965	1005	1005
3.7	Track width, rear	b11 (mm)	980	980	980
Basic dimensions					
4.1	Mast/fork carriage tilt forward / backward	degrees	6 / 10	6 / 10	6 / 10
4.2	Lowered mast height (standard)	h1 (mm)	2175	2190	2190
4.3	Free lift	h2 (mm)	155	155	155
4.4	Lift height (standard)	h3 (mm)	3300	3300	3200
4.5	Extended mast height (standard)	h4 (mm)	4485	4485	4385
4.7	Overhead load guard (cab) height	h5 (mm)	2160	2180	2180
4.8	Seat height / standing height	h7 (mm)	1110	1130	1130
4.12	Coupling height	h10 (mm)	283	299	299
4.19	Overall length	l1 (mm)	3644	3742	3782
4.20	Length to face of forks	l2 (mm)	2594	2692	2732
4.21	Overall width	b1 (mm)	1160	1230	1230
4.22	Fork dimensions LxWxT	L x E x S (mm)	1050 x 100 x 45	1050 x 122 x 45	1050 x 122 x 45
4.23	Fork carriage type		II / A	III / A	III / A
4.24	Fork carriage width	b12 (mm)	1102	1102	1102
4.31	Ground clearance, loaded, under mast	m1 (mm)	130	145	145
4.32	Ground clearance, centre of wheelbase	m2 (mm)	171	189	189
4.33	Aisle width for pallets 1000 x 1200 crossways (L x W)	Ast (mm)	3966	4066	4102
4.34	Aisle width for pallets 800 x 1200 lengthways (W x L)	Ast (mm)	4166	4266	4302
4.35	Turning radius	Wa (mm)	2298	2398	2434
4.36	Smallest pivot point distance	b13 (mm)	714	731	731
Performance data					
5.1	Travel speed, unloaded	km/h	17.7	18.6	18.6
5.2	Lift speed, loaded/unloaded	m/s	600 / 610	580 / 610	480 / 510
5.3	Lowering speed, loaded/unloaded	m/s	500 / 450	500 / 450	500 / 450
5.5	Drawbar pull, loaded	N	2412	2290	2302
5.7	Gradient performance, loaded/unloaded	%	37.1	29.7	27.6
5.9	Acceleration time, loaded/unloaded (10m)	sec	-	-	-
5.10	Service brake		FOOT	FOOT	FOOT
Engine					
6.1	Engine manufacturer / type		HMC L4KB	HMC L4KB	HMC L4KB
6.2	Engine power acc. To ISO 1585	kW	44	44	44
6.3	Rated speed	1/min	2300	2300	2300
6.4	No. of cylinder / cubic capacity	/cm3	4 / 2359	4 / 2359	4 / 2359
6.5	Fuel consumption acc. to VDI cycle	ℓ/h	-	-	-
Other details					
8.1	Type of drive control		Power Shift	Power Shift	Power Shift
8.2	Operating pressure (attachments)	bar	220 / 165	220 / 165	220 / 165
8.3	Hydraulic oil flow (attachments)	ℓ/min	31.2	31.2	31.2
8.4	Sound level at driver's ear according to DIN 12053	db(A)	80	80	80

- \* Standard and optional equipment may vary. Contact your Hyundai dealer for more information. The machine may vary according to international standards.
- \* The photos may include attachments and optional equipment that are not available in your area.
- \* Materials and specifications are subject to change without advance notice.
- \* All imperial measurements rounded off to the nearest pound or inch.

PLEASE CONTACT

**HYUNDAI**  
HEAVY INDUSTRIES EUROPE  
CONSTRUCTION EQUIPMENT